

I N S T R U C T I O N S

# Viking NV 1x24 Goggles



[www.yukonoptics.com](http://www.yukonoptics.com)

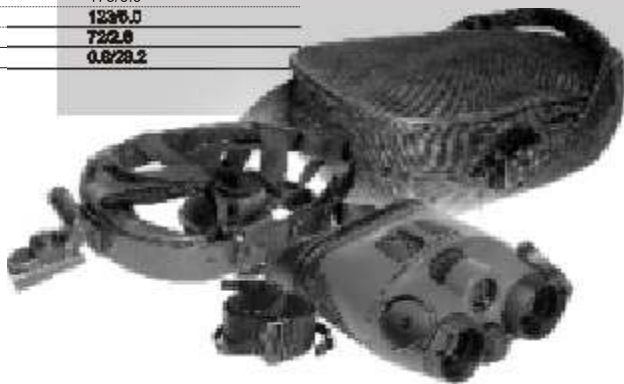
ENGLISH / FRANÇAIS / DEUTSCH / ESPAÑOL / ITALIANO / РУССКИЙ

MODEL	25025
Generation	1
Magnification, x	1
Lens Diameter, mm/inch	24/0.94
Resolution, lines/mm	36
Field of View, grade	30
Eye Relief, mm/inch	12/0.47
Diopter Adjustment, D	±5
Min. Range of Detection, m	1
Power Supply, V/ Battery	3 / CR123A
Dimensions (without head mount):	
Length, mm/inch	175/6.9
Width, mm/inch	<del>123/5.0</del>
Height, mm/inch	<del>72/2.8</del>
Weight, kg/oz	<del>0.6/20.2</del>

#### UNPACKING THE UNIT

Viking NV 1x24 Goggles come with the following:

- carrying case
- head-mount
- night vision binoculars Viking
- neck strap
- user's manual
- cleaning cloth
- warranty card



#### OVERVIEW

Viking NV 1x24 Goggles include adapted night vision binocular NVB Viking and head-mount.

The kit is designed for effective viewing in the partial and total darkness, and makes viewing hands free.

The binoculars are made from two independent image intensifying modules, placed in a one-piece housing made of water-resistant plastic with special coating.

Permanent interpupillary distance increases the reliability of the unit. The Infrared Illuminator is necessary for effective viewing in total darkness.

The binoculars have the handy central focusing mechanism that allows the picture and regulation of the eyepiece to be adjusted.

A solid yet soft eyeshade protects eyes from any side flashes. It masks green luminescence making the product safe.

The head mount adjusts to the necessary size easily and quickly. It provides secure and comfortable wearing.

The rotary assembly allows for every variation of individual rotation of the position of the binoculars.

It also allows raising the binoculars immediately.

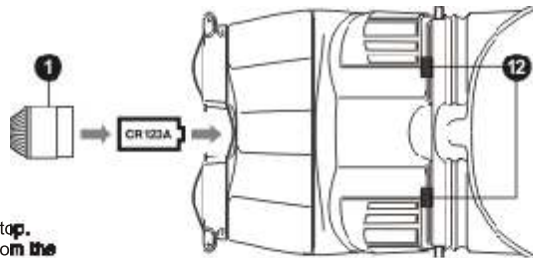
Night vision goggles are completely self-contained and can work up to 40 hours from one 3V (CR123A) battery at temperatures ranging from -30°C to +40°C.

Viking NV 1x24 Goggles Uses:

- General observation
- Hunting and tourism
- Sport games and nighttime orientation
- Industrial and amateur fishing and boating
- Search and rescue
- Maintenance and equipment service
- Other operations, those requiring a hands-free NVB.

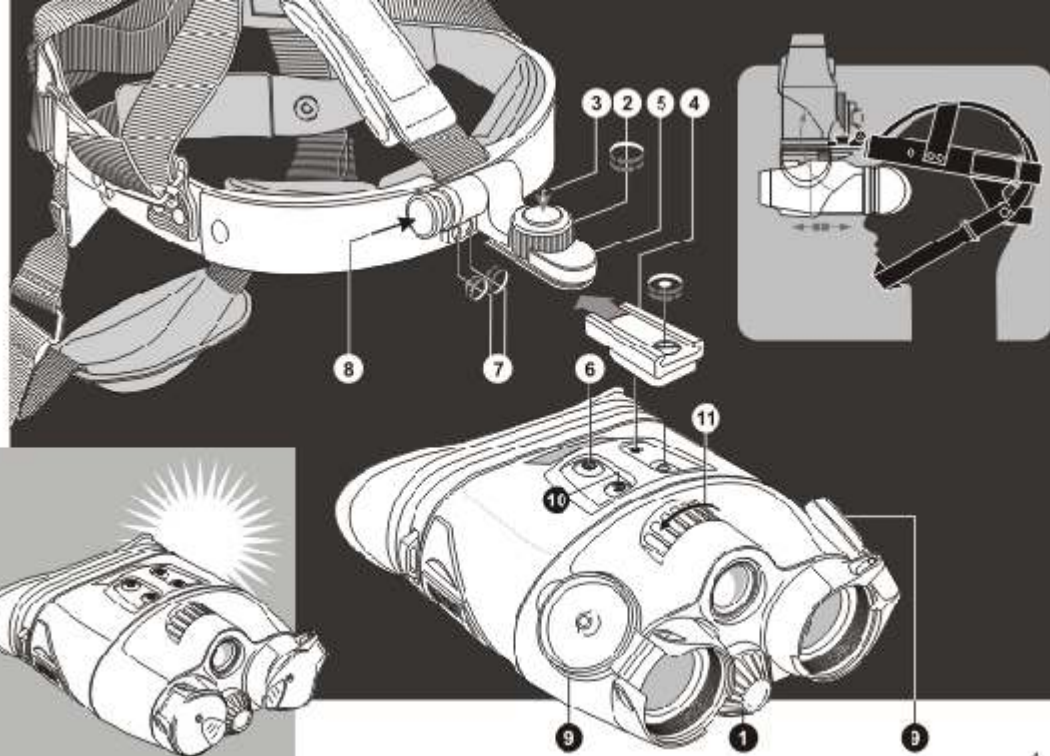
## BATTERY INSTALLATION

Remove battery cover (1).  
Install battery CR123A, with the correct polarity. Replace the cover (1).



## USE AND TESTING

- Regulate the head mount for the necessary size.
- Unscrew the clip (2) counterclockwise up to the stop. Push the button (3) and take away the cleat (4) from the rotary assembly of the mask (5).
- Screw the cleat (4) on the binoculars. Combine the captive screw and special projection of the cleat (4) with respective outlets, placed nearby the "ON" button (6).
- Add the binoculars to the head mount, combining special grooves of the cleat (4) with respective guides of the swivel block (5).
- Unscrew two screws (7) counterclockwise for 1 to 2 rotations.
- Put on the head mount with binoculars added.
- Push button (8) and install the unit in the level position.
- Move the binoculars forward, backward, up and down until the most comfortable position for working with the unit is found. (Don't push buttons (3) and (8) during the regulation).
- Lock in the level position of the binoculars, screwing it clockwise up to the top of handle (2).
- Take off the set, but don't change the tilt angle of the binoculars relatively of the mask.
- Screw in the screws (7) clockwise.
- Go to a dark area. Open the lenses of the binoculars, pushing the caps (9) to the body, switch on the binoculars, pushing button "ON" (6). A green indicator will give a signal that unit is working. **Checking the efficiency during the daytime is able only with closed caps. Warning: opening of the caps in this case is forbidden.**
- Turn on the IR, pushing button "IR" (10) if necessary. A red indicator will give a signal that the unit is working.



- Direct the unit at the object, at the distance of 30 to 40 meters. Turn the central focusing ring (11) and wire mechanic eyepieces (12), so you will be able to improve the quality of image in both optic channels.
- Watch the object, using only the central focusing ring (11).
- After finishing, turn off the unit with the button "ON" (6), and replace the lens caps (9).
- Disconnect the binoculars and head mount by unscrewing the clip (2) counterclockwise up to the top and push the button (3).
- Put the unit into the bag.
- For viewing push the button (8) and cast up the binoculars.
- Binoculars from this Kit can be used without a head mount. In this case put the neck belt on it.

## WARNINGS AND PRECAUTIONS

- **Attention!** If the kit is operated in cold weather and brought into warm premises it is absolutely necessary to carry out the following:
  - to warm the device, do not remove the device from the case this prevents the appearance of condensation in the electronic and optical elements;
  - it can only be used again after 5 hours.
- Never direct the unit at a bright light.
- Don't unseal and repair the unit which has a guaranteed warranty, unless opened.
- Don't put the unit in water; don't leave it in the rain or direct sunlight.
- Avoid mechanical and consequential damages.

## MAINTENANCE

- Cleaning optical parts can only be done using special cleaner for multicoated lenses, with a soft cloth. Dust can be removed from the lenses with a soft brush.
- The body of the binoculars can be coated in Vaseline using a soft cloth.

## STORAGE

Keep the device in its case, away from heat and ventilation shafts, in a temperature not less than +10°C and humidity not more than 70%. If the device is not used for a long time, it is necessary to remove the element for recharging.

## TROUBLESHOOTING

- **If the device does not come on or does not work...**  
Check the polarity and charge of the battery, make sure the element is in working order.
- **If the device does not focus...**  
Check the cleanness of the external surfaces of the lenses and eyepieces: it could be that they are dirty.

## WARRANTY

The Manufacturer warrants its night vision products against defects in materials and workmanship for a period of three years from the original date of purchase. Any device returned for warranty service must be judged by the Manufacturer as having been used according to its original design intents. As such misuse, neglect, or any abnormal use is not covered by this warranty. The Manufacturer will repair or replace products or parts thereof, which, upon inspection by the Manufacturer, are found to be defective in either materials or workmanship. As a condition of the Manufacturer's obligation regarding warranty work, the product must be returned to the Manufacturer with a satisfactory proof of a purchase. It is highly recommended that you fill out and return your warranty registration card to ensure the warranty coverage. This warranty is null and void if equipment has been altered, tampered with, modified, or otherwise abused, mishandled, or subjected to unauthorized repairs.